



**Spraying Systems Co.®**  
Experts in Spray Technology



## CU150A GUNJET® SPRAY GUN

### LOW PRESSURE SPRAY GUNS FOR CLEANING AND SANITATION

#### BENEFITS

#### VERSATILE DESIGN ALLOWS MORE PERFORMANCE FROM A SINGLE SPRAY GUN

- Guns are available with a choice of three spray capacities: 10, 16 and 22 gpm (38, 61 and 83 lpm) at 100 psi (7 bar)
- Spray pattern can be easily adjusted from a solid stream to a 50° hollow cone spray pattern by varying trigger pull
- Choice of materials to ensure you get the durability you need – brass, stainless steel or lightweight aluminum valve body with stainless steel trigger; corrosion-resistant outer cover

CU150A GunJet Spray Gun – Choice of brass or lightweight aluminum body with stainless steel trigger

CU150A GunJet Spray Gun – Stainless steel for food processing

#### COMFORTABLE AND EASY TO USE

- Ergonomic design reduces operator fatigue
- Clearly visible color bands indicate spray gun capacity
- Repair kits available
- Optional swivel connector with ring to lock trigger in spraying position

#### IDEAL FOR

**CU150A-316 in stainless steel:** clean-up and sanitation in food processing operations

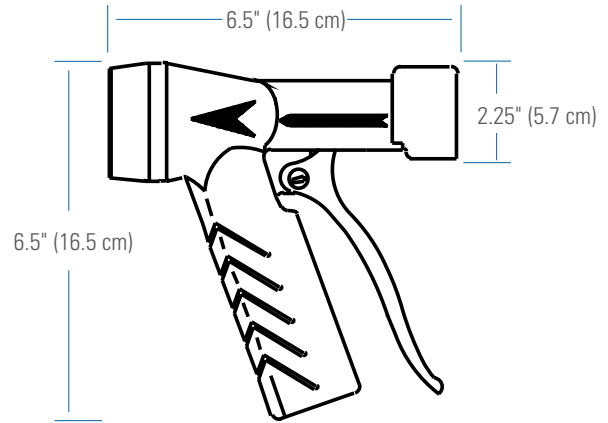
**CU150A in brass and aluminum:** general plant and equipment clean-up



# CU150A GUNJET® SPRAY GUNS

## SPECIFICATIONS

Capacity: 10 to 22 gpm (38 to 83 l/min)
Max. operating pressure: 150 psi (10 bar)
Max. temperature: 200°F (93°C)
Inlet connection: 1/2" NPT or BSPT (F)
Rubber cover: white or black
Materials: brass, stainless steel or lightweight aluminum valve body with stainless steel trigger



## DIMENSIONS AND WEIGHTS

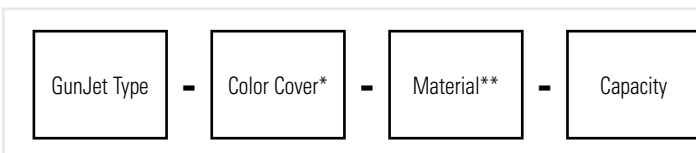
CU150A GUNJET SPRAY GUNS
Length: 6.5" (16.5 cm)
Width: 2.25" (5.7 cm)
Height: 6.5" (16.5 cm)
Weight: Stainless steel: 32 oz (.91 kg) Brass: 36 oz (1 kg) Aluminum: 22 oz (.62 kg)

## MATERIAL CODES:

Brass: no code
Aluminum: AL
Stainless steel: 316SS

## ORDERING INFORMATION

### GUNJET CU150A



### Example



\*No code required for black cover

\*\*No code for brass



**Spraying Systems Co.®**

Experts in Spray Technology

North Avenue and Schmale Road, P.O. Box 7900, Wheaton, IL 60187-7901 USA

Tel: 1.800.95.SPRAY

Intl. Tel: 1.630.665.5000

Fax: 1.888.95.SPRAY

Intl. Fax: 1.630.260.0842

www.spray.com



Bulletin No. 700 Printed in the U.S.A. ©Spraying Systems Co. 2013